

THIS DRAWING IS UNPUBLISHED. RELEASED FOR PUBLICATION FEB ,2006.
 © COPYRIGHT 2006 BY TYCO ELECTRONICS CORPORATION. ALL RIGHTS RESERVED.

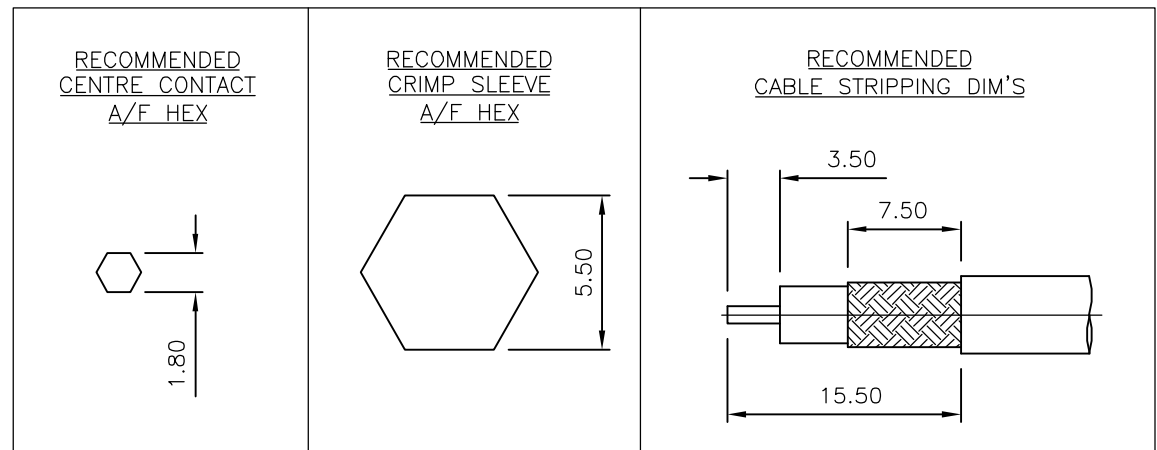
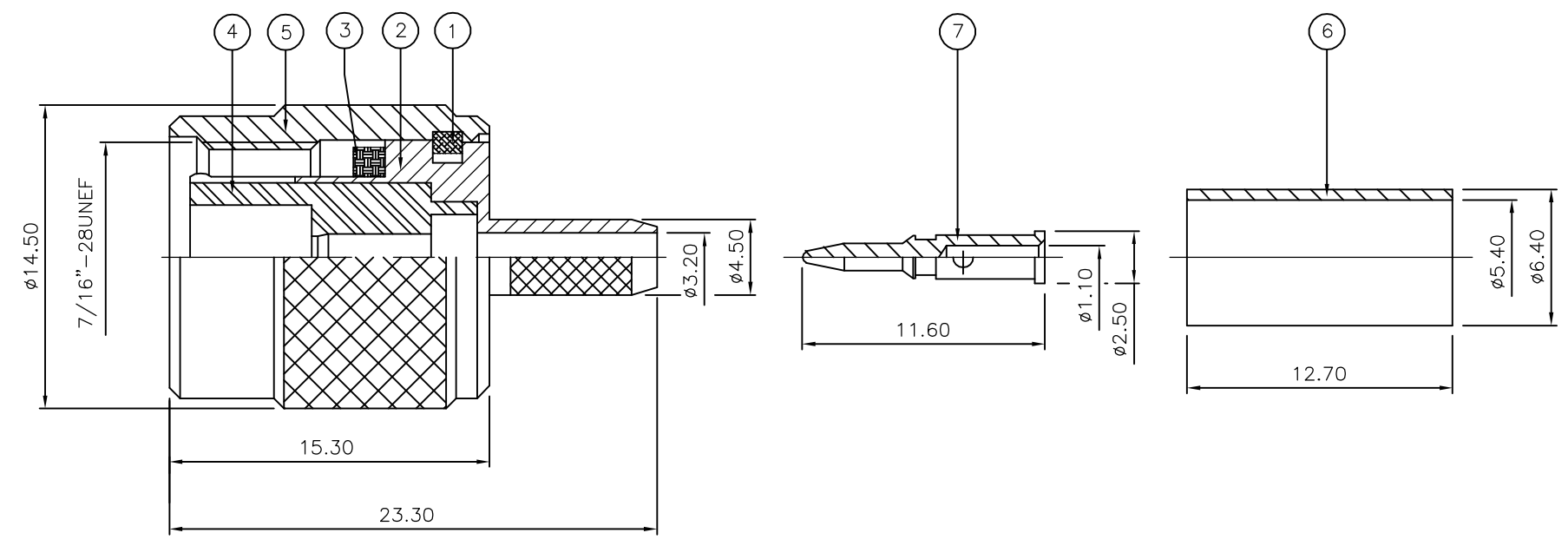
LOC	DIST	REVISIONS			
P	LTR	DESCRIPTION	DATE	DWN	APVD
E	B	C	ECR-06-002568	15FEB06	JMS FWK

- NOTES:
- 1 PACK IN ACCORDANCE WITH AMP SPEC 107-3275
 - 2 100 TRAY PACK IN ACCORDANCE WITH AMP SPEC 107-3275
 - 3 Au PLATING
 - 4 Ni PLATING
 - 5 THIS ITEM MUST BE WHITE
 - 6 HAND TOOL : 9-1478240-0
 - 7 DIE SET : 9-1478242-0
 - 8 ELECTRICAL CHARACTERISTICS

FREQUENCY RANGE:	DC - 11 GHz
NOMINAL IMPEDANCE:	50 Ohm
INSULATION RESISTANCE:	5000 MOhm
WORKING VOLTAGE:	500 Volts RMS at Sea Level
DIELECTRIC WITHSTAND VOLTAGE:	1500 Volts RMS Max
CONTACT RESISTANCE:	
CENTRE CONTACT:	1.50 mOhm Max
OUTER CONTACT:	1.00 mOhm Max
VSWR @ 4GHz:	1.30:1 Max
INSERTION LOSS dB @ x 3 GHz:	0.20 Max
 - 9 MECHANICAL CHARACTERISTICS

COUPLING NUT RETENTION FORCE:	445N Min
CABLE RETENTION FORCE:	170N Min
DURABILITY:	500 Cycles Min
 - 10 ENVIRONMENTAL CHARACTERISTICS

OPERATING TEMPERATURE:	-65 to +165 DegC
------------------------	------------------



QTY	QTY PER ASSY	MATERIAL	DESCRIPTION	ITEM
1	1	BRASS	CONTACT	7
1	1	BRASS	FERRULE	6
1	1	BRASS	COUPLING NUT	5
1	1	PTFE	INSULATION	4
1	1	SILICONE RUBBER	GASKET	3
1	1	BRASS	BODY	2
1	1	BRASS	CIRCLIP	1
6--0	1--0	MATERIAL	DESCRIPTION	ITEM

THIS DRAWING IS A CONTROLLED DOCUMENT.		DWN J.SANDWELL 15FEB06	Tyco Electronics Corporation Bideford EX39 4HE	
DIMENSIONS: mm		CHK S.PARLOW 15FEB06		
TOLERANCES UNLESS OTHERWISE SPECIFIED:		APVD F.WHEELER-KING 15FEB06	NAME TNC STRAIGHT PLUG CRIMP 50 OHM RG58C/U, 141A/U, URM43, 76 & BELDEN 9907, KX15	
MATERIAL SEE TABLE		PRODUCT SPEC -	APPLICATION SPEC 411-3247	RESTRICTED TO -
FINISH -		WEIGHT -	SIZE A3	CAGE CODE 00779
		DRAWING NO 1337613		SCALE NTS
CUSTOMER DRAWING		SHEET 1 OF 1		REV C